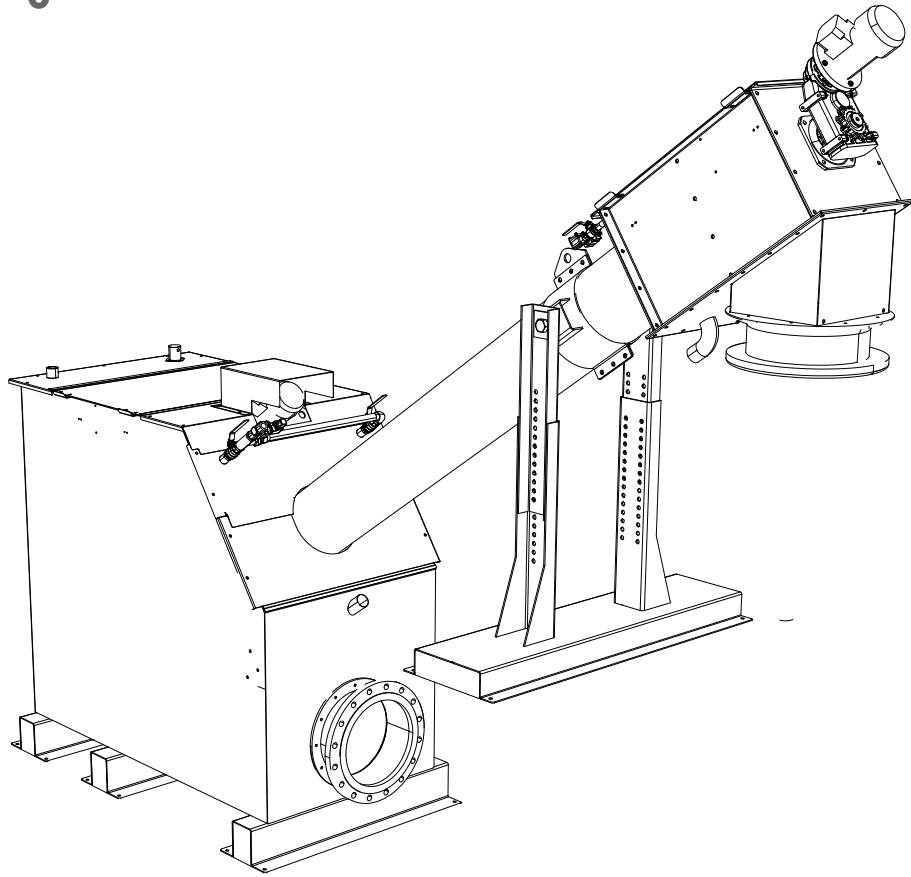
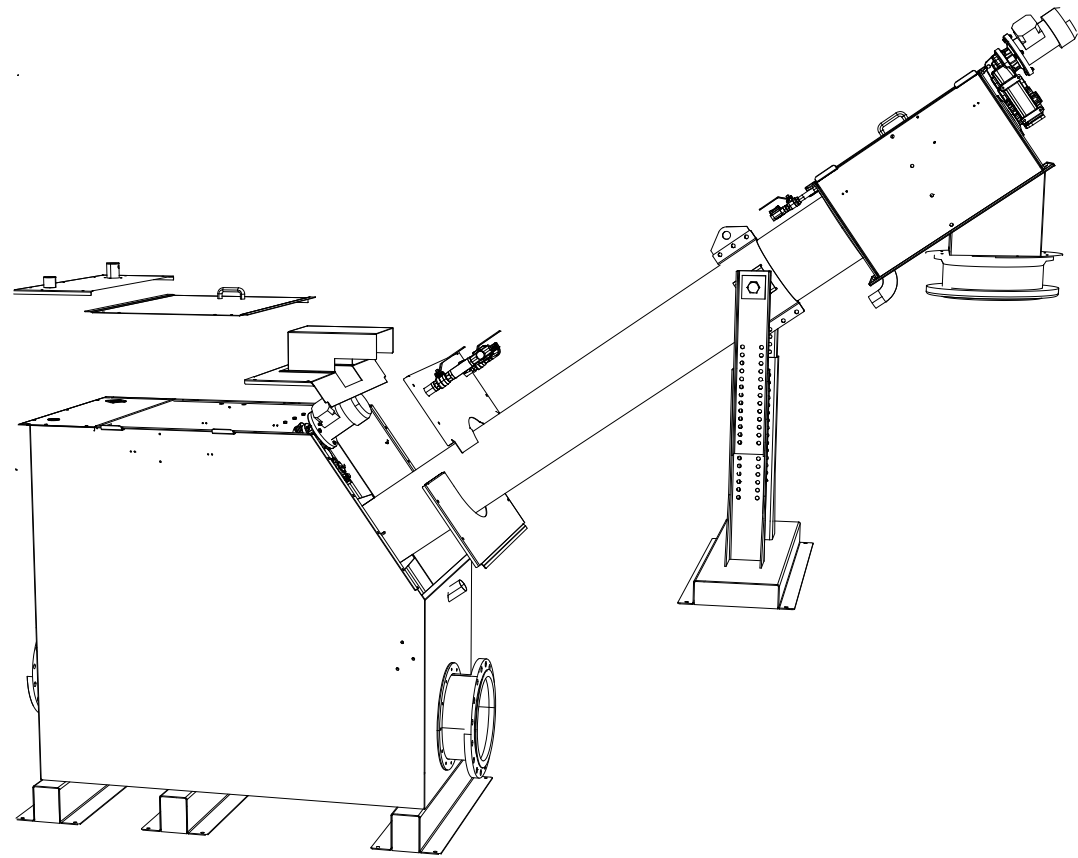


0

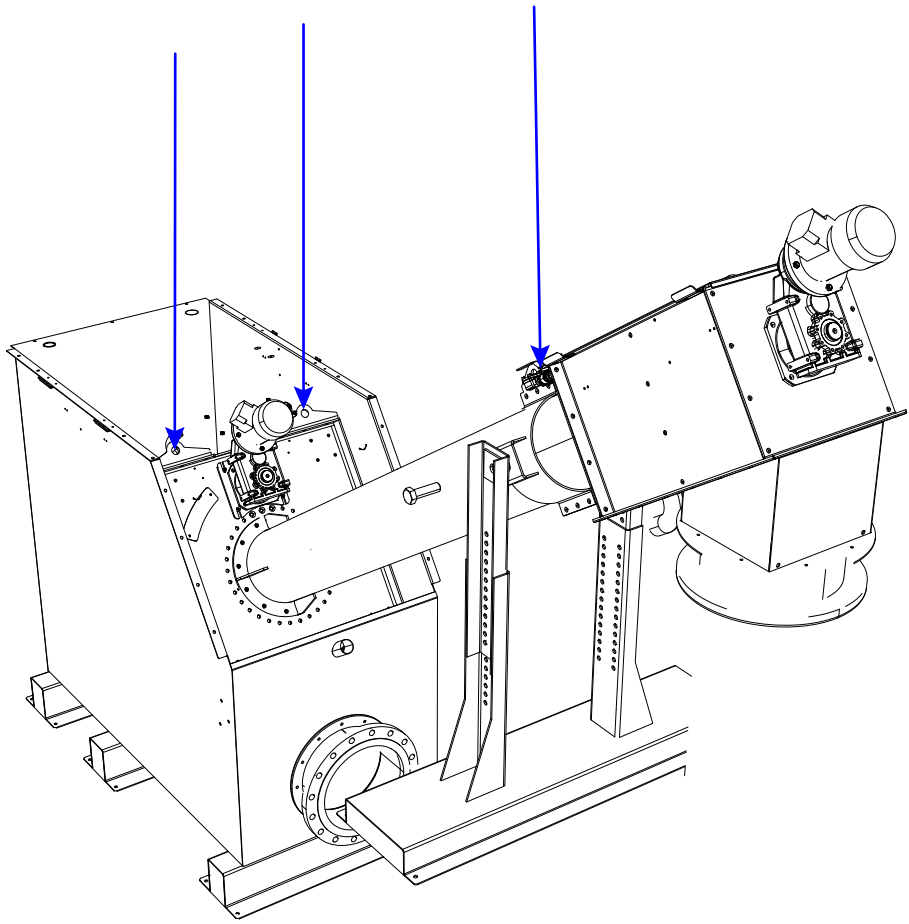


1



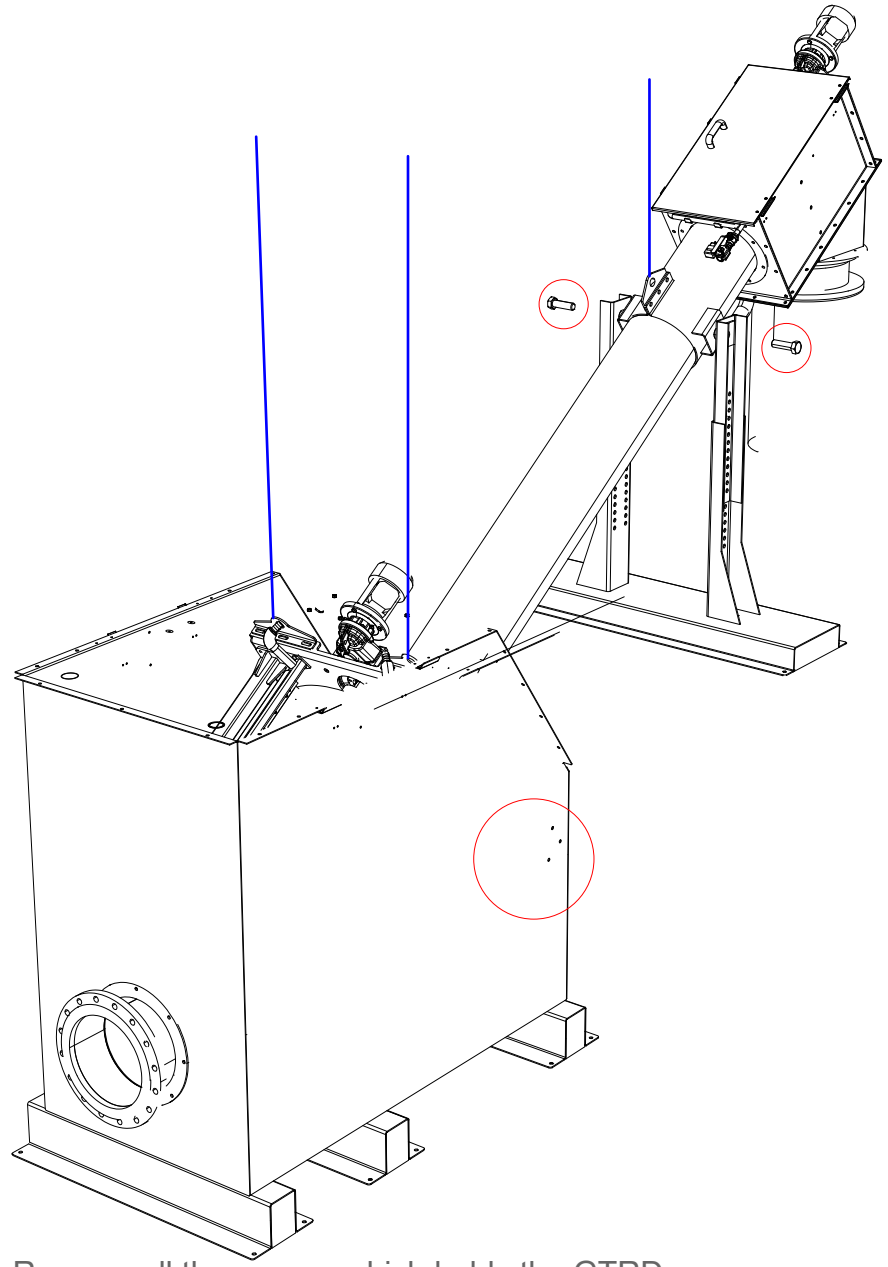
Remove all the covers and flexibles tubes connected to the washing system

2



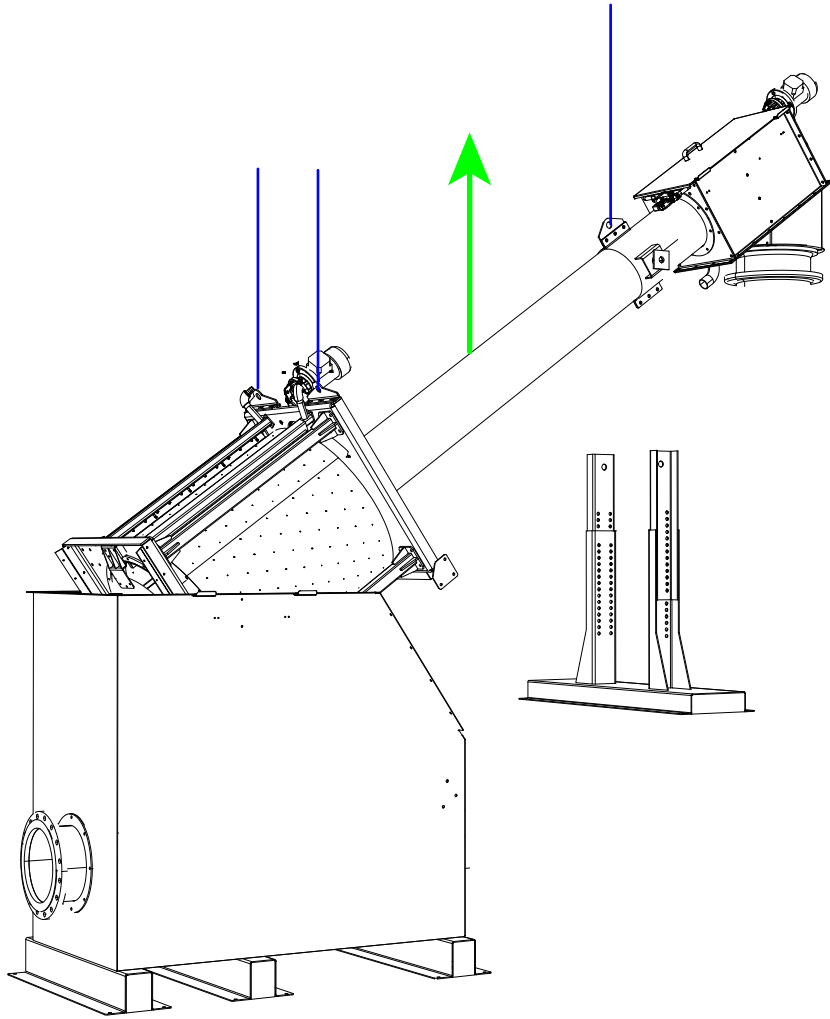
3 eyelet for lift the GTRD from the tank

3

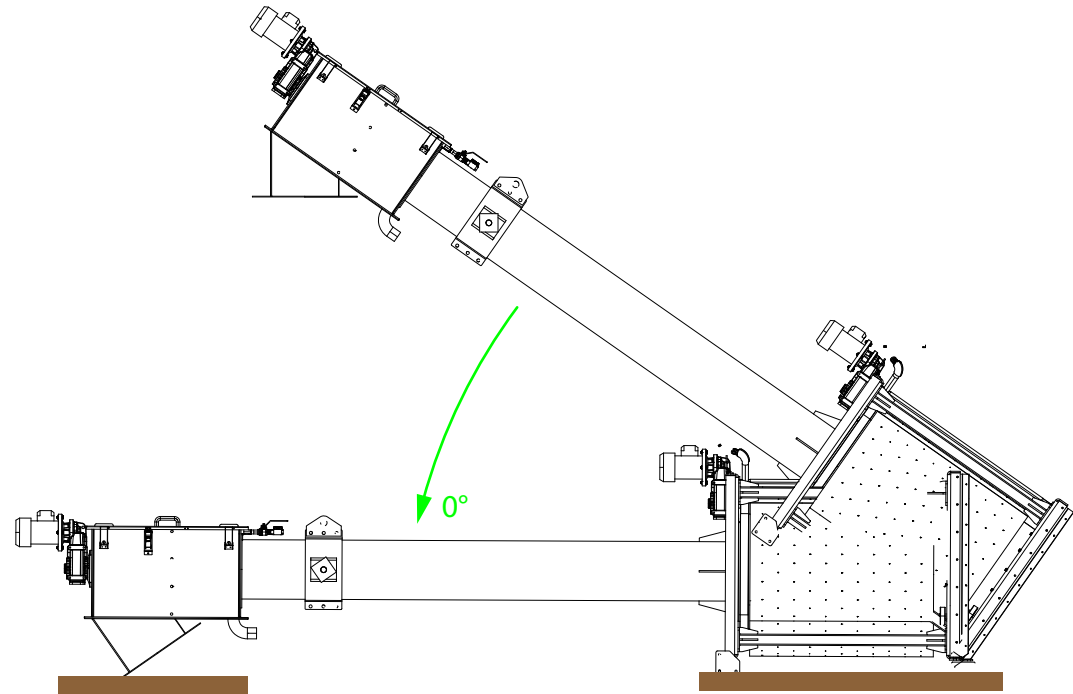


Remove all the screws which holds the GTRD

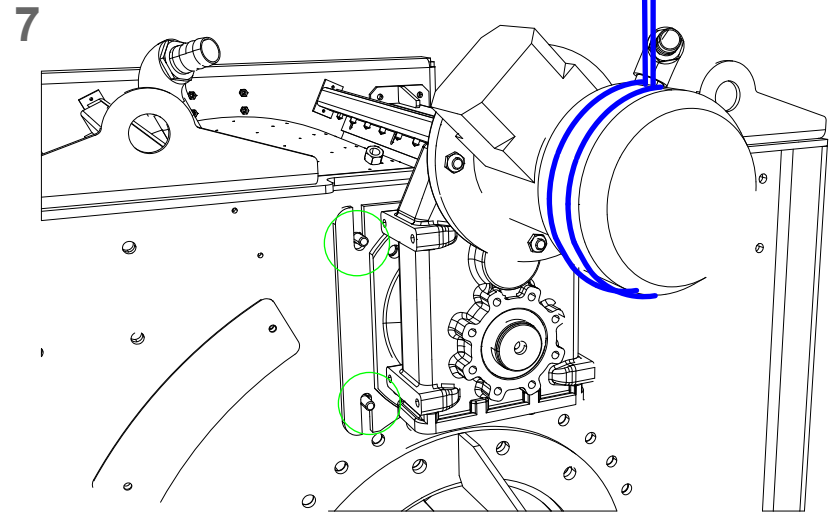
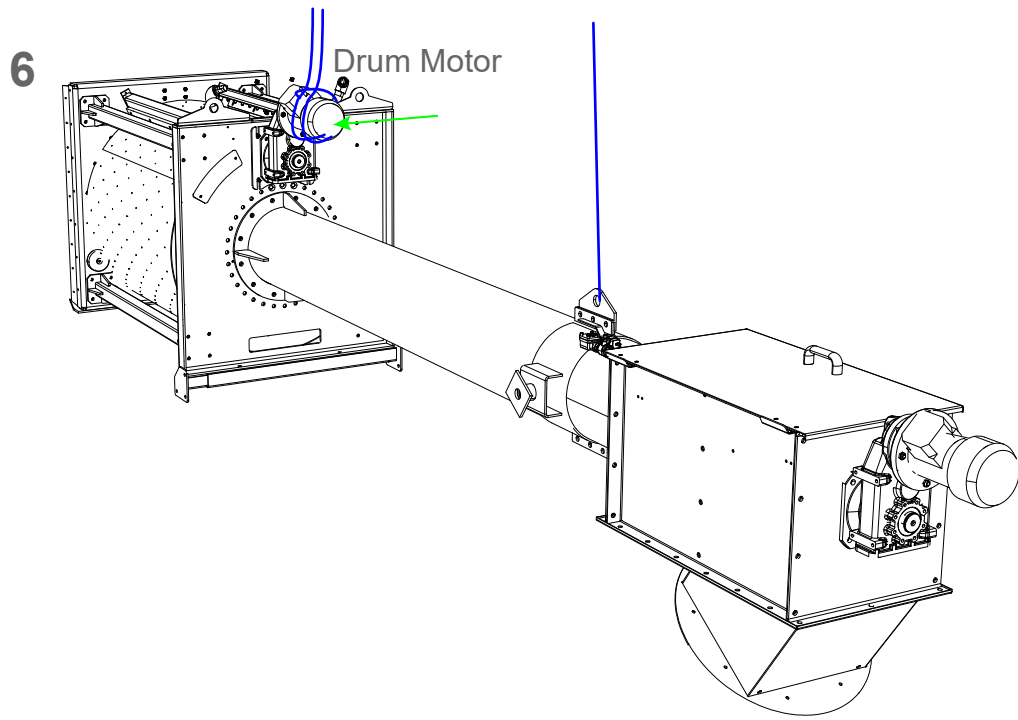
4



5



Lay the GTRD on wood boards.



Wrap a strap surround the drum motor for support it, then remove the 4 screws.

