



VALMEK

AUTOMAZIONE VALVOLE INDUSTRIALI

ELECTRIC INTELLIGENT ACTUATOR
ELECTRIC VALVES



Precision

1. Use standard torque wrench
2. Tighten valve stem nut
3. Tighten valve stem nut
4. Tighten valve stem nut
5. Tighten valve stem nut
6. Tighten valve stem nut
7. Tighten valve stem nut
8. Tighten valve stem nut
9. Tighten valve stem nut
10. Tighten valve stem nut

WARNING

When installing actuators on the field, ensure that each actuator has its own independent control circuit. Each actuator should be wired to a separate control circuit. Always wear safety glasses and use appropriate safety procedures when working with electrical equipment. The damaging effects of water on an electric motor can be minimized by using a drip shield or a similar device to prevent water from coming in contact with the motor. Always use the appropriate safety procedures when working with electrical equipment. Be sure to read the manual before using the product.



CHQ Electric Actuator
© 2012 aox technology copyright Ecology protection

Valmek S.a.s. Via Claudio Treves 23 Loc. Cascina Crivella 20090 Vimodrone (MI) Tel 0225029679

Website: www.valmek.com Email: valmek@valmek.com

SUMMARY



"CHQ" series electric actuator is used for controlling 0°~270° rotation of the valves and other similar products, such as butterfly valve, ball valve, damper, flapper valve, cock valve etc. It widely applies to petroleum, chemical, water treatment, shipping, paper making, power plant, heating, light industry and other industries. Driven by 380V/220V/110VAC power or 24V/110VDC power, inputs 4-20mA or 0-10VDC control signal, moves valve to the right position, and achieves to automatic control, maximum output torque is 5000N.M.

PERFORMANCE PARAMETER

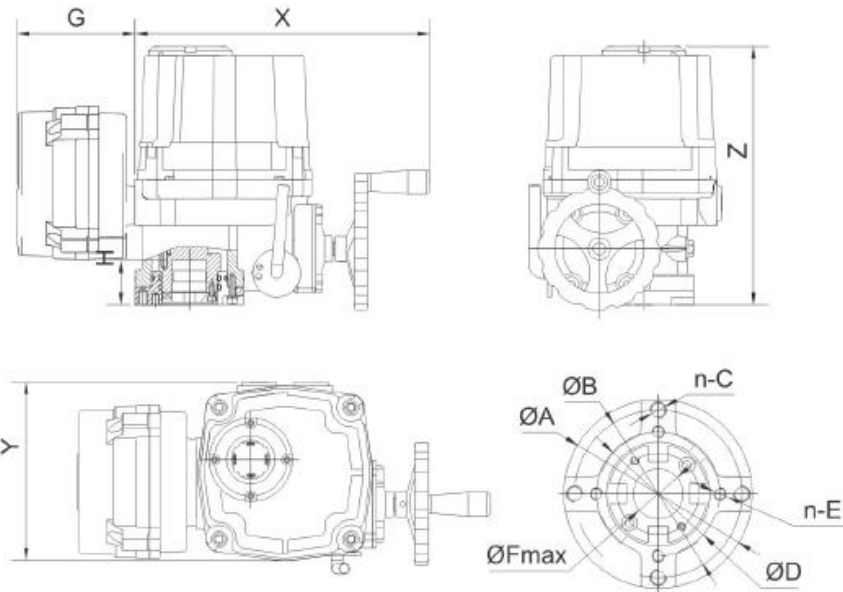
Model	Max Output Torque	Operating Time 60/50Hz	Max Drive Shaft Size	F-class Motor	Rated Current(A)				Handwheel Revolution	Weight
					Single Phase		Three Phases			
	N-M	90°(S)	mm	W	110V	220V	380V	440V	N	(kg)
CHQ-005	50	18/22	φ20	20	1.10/0.95	0.55/0.54	0.3/0.3	N/A	10	7.5
CHQ-008	80	18/22	φ20	20	1.10/0.95	0.55/0.54	0.3/0.3	N/A	10	7.5
CHQ-010	100	18/22	φ20	20	1.10/0.95	0.55/0.54	0.3/0.3	N/A	10	7.5
CHQ-015	150	21/25	φ22	40	1.65/1.67	0.88/0.84	0.31/0.31	0.30/0.31	11	17.3
CHQ-020	200	21/25	φ22	40	1.67/1.67	0.89/0.85	0.31/0.31	0.30/0.31	11	17.3
CHQ-030	300	26/31	φ35	90	1.85/1.86	0.92/0.92	0.35/0.35	0.34/0.34	13.5	22
CHQ-050	500	26/31	φ35	90	3.60/3.62	1.55/1.58	0.59/0.59	0.58/0.58	13.5	23
CHQ-060	600	26/31	φ35	120	3.65/3.62	1.60/2.20	0.60/0.59	0.59/0.58	13.5	23
CHQ-080	800	31/37	φ45	180	4.10/4.10	2.15/2.20	0.85/0.85	0.79/0.79	16.5	29
CHQ-120	1200	31/37	φ45	180	4.20/4.10	2.35/2.30	0.87/0.87	0.81/0.81	16.5	29
CHQ-150	1500	78/93	φ45	180	4.20/4.10	2.15/2.20	0.85/0.85	0.79/0.79	49.5	83
CHQ-200	2000	93/112	φ45	180	4.10/4.10	2.15/2.20	0.85/0.85	0.79/0.79	49.5	83
CHQ-300	3000	93/112	φ45	180	4.20/4.10	2.35/2.30	0.87/0.87	0.81/0.81	49.5	83
CHQ-400	4000	155/185	φ45	180	4.20/4.10	2.35/2.30	0.87/0.87	0.81/0.81	82.5	83
CHQ-500	5000	155/185	φ45	180	4.20/4.10	2.35/2.30	0.87/0.87	0.81/0.81	82.5	83

TECHNICAL PARAMETER

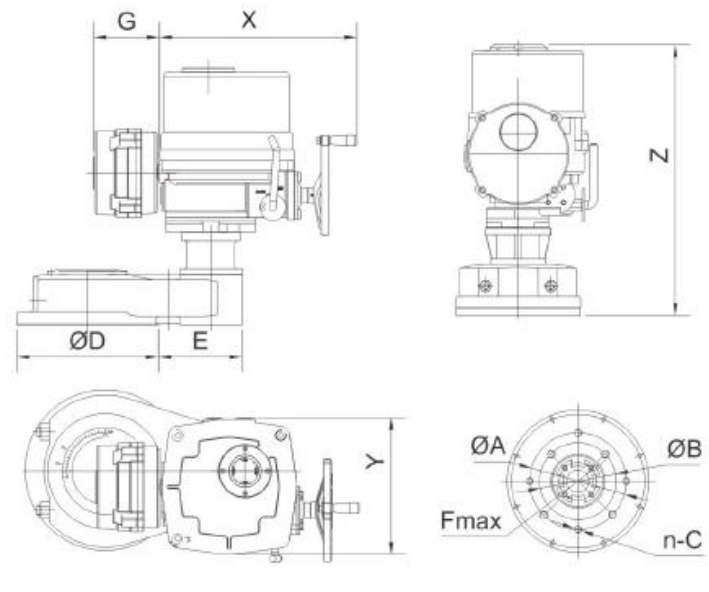
Shell	Enclosure :IP67,NEMA4, Exd II CT5	
Power	Standard:220VAC/1ph Optional:110VAC/1ph, 380V/440V/3ph,50/60HZ, ±10% 24VDC/110VDC/220VDC	
Motor	Asynchronous motor	
Limit switch	2×Open/ Close, SPDT,250VAC 10A	
Auxiliary limit switch	2×Open/ Close, SPDT,250VAC 10A	
Torque switch	Close/Open, each 1, SPDT,250VAC 10A	Except CHQ-005/008/010
Travel	90°±10°	0°~270°
Fail safe / Operating temperature	Internal-placed thermal protection, Open 115℃ ±5℃/Close 97℃ ± 5℃	
Indicator	Continuous position indicator	
Manual operate	Declutching mechanism, operate by handwheel	
Self-locking device	Self-locking by worm and worm gear	
Mechanical limit	2 × external adjustable stopper	
Space heater	7-10W(110V/220VAC)	
Conduit entry	2xPF 3/4"	
Ambient temperature	-20℃~+70℃	
Lubrication	Grease moly(EP type)	
Material	Steel, Aluminium alloy, Aluminium bronze,Polycarbonate	
Ambient humidity	Max 90% RH	Non-Condensing
Anti-vibration	X Y Z 10g,0.2~34 Hz,30 minutes	
External coating	Dry powder, Epoxy polyester,high anti-corrosion	

GENERAL DRAWING

CHQ-005 CHQ-080



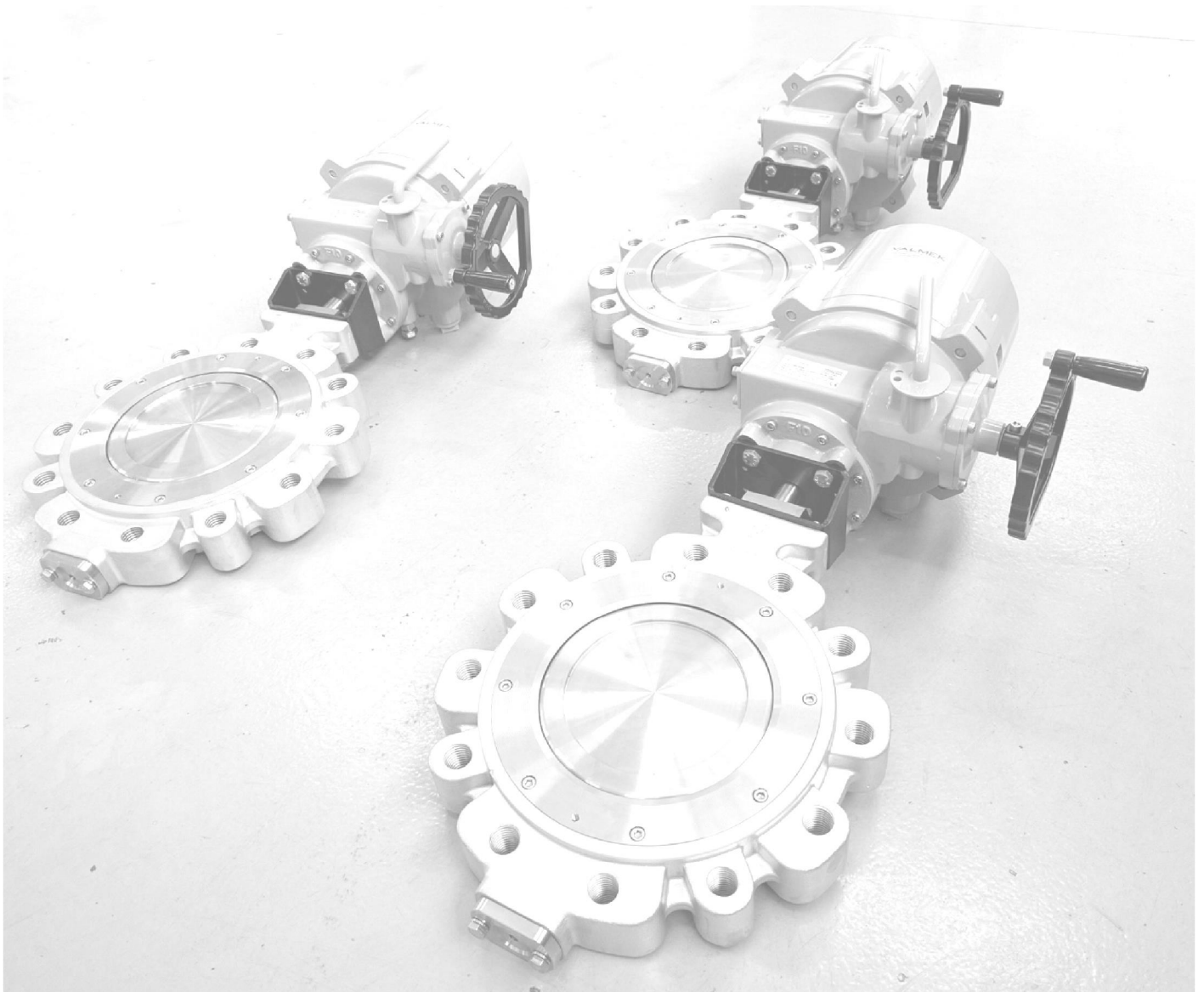
CHQ-120 CHQ-500



Model	X	Y	Z	A	B	N-C	D	N-E	F	G	H
CHQ-005	270	161	233.5	Φ90	Φ70	4-M8	/	/	Φ20	140	40
CHQ-008	270	161	233.5	Φ90	Φ70	4-M8	/	/	Φ20	140	40
CHQ-010	270	161	233.5	Φ90	Φ70	4-M8	/	/	Φ20	140	40
CHQ-015	351	226	270	Φ125	Φ102	4-M10	Φ70	4-M8	Φ22	140	45
CHQ-020	351	226	270	Φ125	Φ102	4-M10	Φ70	4-M8	Φ22	140	45
CHQ-030	358	240	290	Φ150	Φ125	8-M12	Φ102	4-M10	Φ35	140	55
CHQ-050	358	240	290	Φ150	Φ125	8-M12	Φ102	4-M10	Φ35	140	55
CHQ-060	410	240	290	Φ150	Φ125	8-M12	Φ102	4-M10	Φ35	140	55
CHQ-080	410	276	335	Φ180	Φ140	8-M16	Φ125	4-M12	Φ45	140	65
CHQ-120	410	276	335	Φ180	Φ140	8-M16	Φ125	4-M12	Φ45	140	65
CHQ-150	410	276	335	Φ165	Φ140	8-M16	Φ285	147	Φ45	/	/
CHQ-200	410	276	335	Φ165	Φ140	4-M16-M20	Φ285	147	Φ45	/	/
CHQ-300	410	276	335	Φ165	Φ140	4-M16-M20	Φ285	147	Φ45	/	/
CHQ-400	410	276	335	Φ165	Φ140	4-M16-M20	Φ285	147	Φ45	/	/
CHQ-500	410	276	335	Φ165	Φ140	4-M16-M20	Φ285	147	Φ45	/	/

OPTION SPECIFICATION

No.	Option scheme	Remark
1	Explosion-proof actuator(Exd II CT5)	CHQ series
2	Water-proof actuator (IP68, 10M, 250HR)	CHQ series
3	Potentiometer unit(1K-10K)	CHQ series
4	Proportion control unit (control signal 4-20mA DC/1-5V/1-10V)	CHQ series
5	Local control units (local control open/stop/close optional switch, local/remote switch)	CHQ series
6	Travel 120°, 180°, 270°	CHQ series
7	Direct current motor (24VDC)	CHQ series
8	Torque switch (SPDT× 2 250VAC 10A)	Except CHQ-005/008/010
9	Electric current position transfer (output 4-20mA DC)	CHQ series
10	Self-reset when power failure	CHQ series
11	High temperature resistance actuator (-10°C~+100°C)	CHQ series
12	Low temperature resistance actuator (-40°C~+70°C)	CHQ series
13	Low speed actuator	CHQ series



Valmek S.a.s. Via Claudio Treves 23 Loc. Cascina Crivella 20090 Vimodrone (MI) Tel 0225029679

Website: www.valmek.com Email: valmek@valmek.com