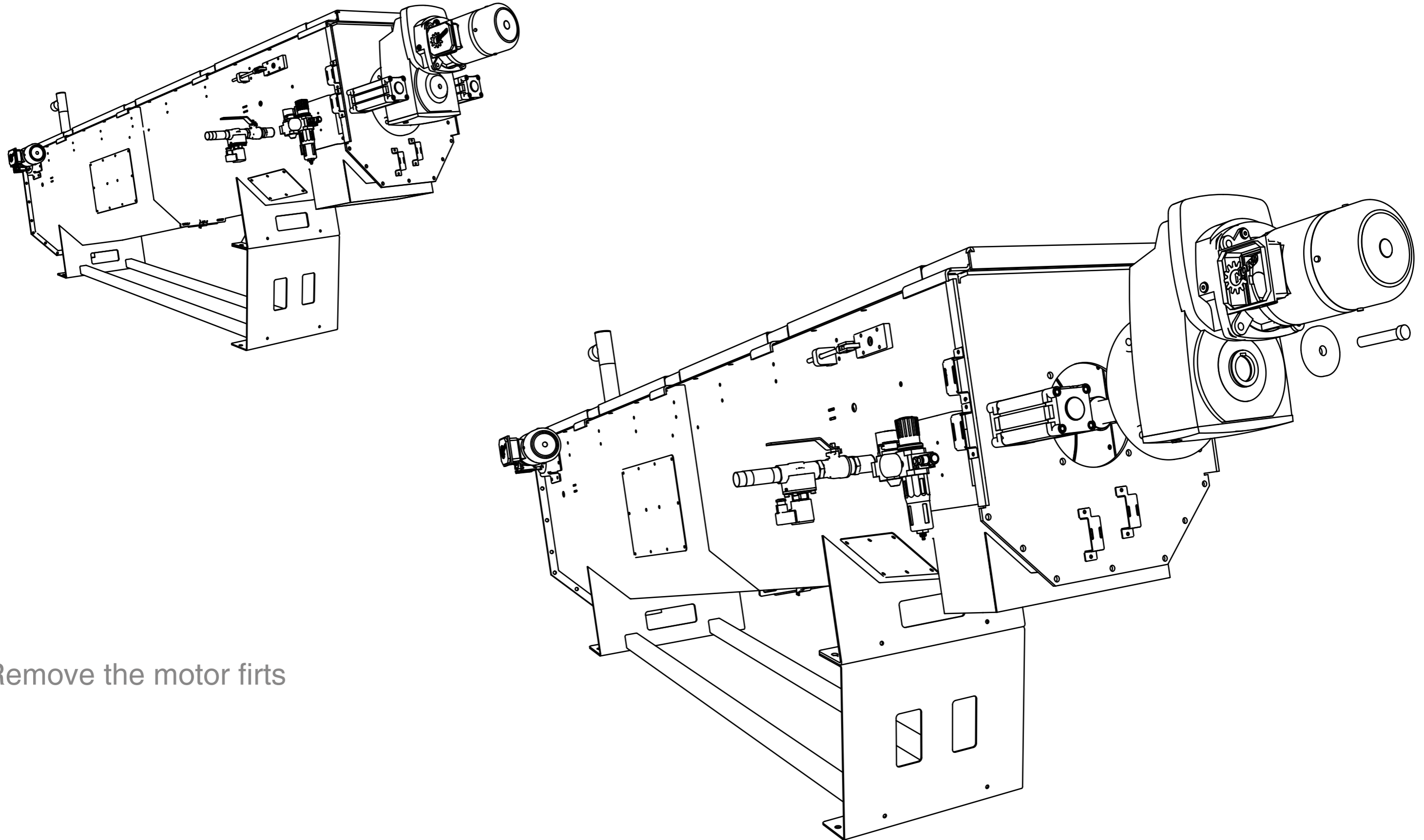
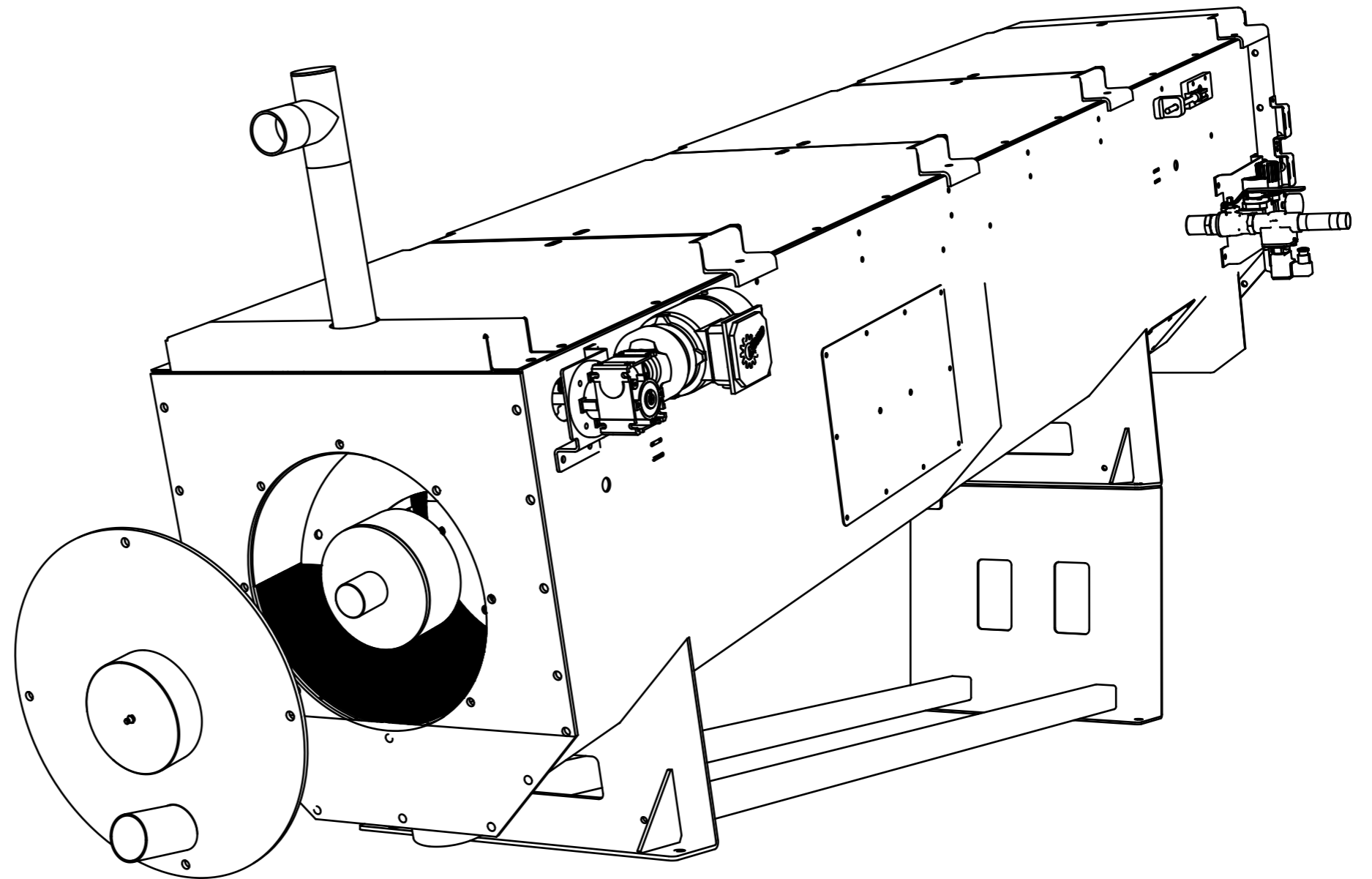
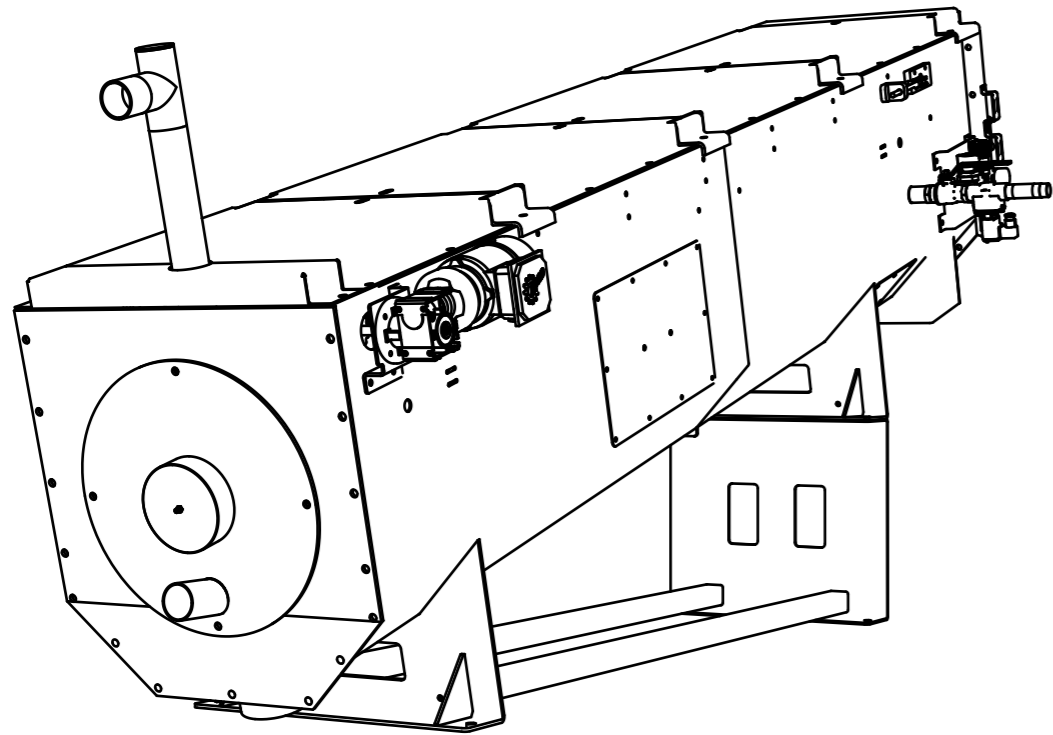


1



Remove the motor parts

2



Remove the front cover

3

In the center
of the front
shaft DRILL M10
and screw eyebolt



Pass a rag through
the eyebolt to extract
the screw

