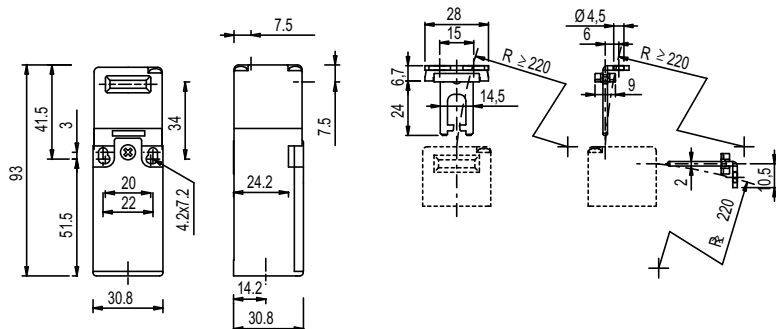



## Technical features: FR 693-D1

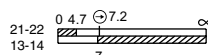


### Article

FR 693-D1

### Contacts

1NO+1NC 



- snap action
- positive opening
- double interruption and twin bridge
- finger protection terminals
- retained screws



### Technical data

#### Housing

Made of glass-reinforced polymer, self-extinguishing, shock-proof thermoplastic resin and with double insulation  
One conduit entry PG 13,5  
Protection degree: IP67

#### General data

Ambient temperature: from -25°C to +80°C  
Max operating frequency: 3600 operations cycles<sup>1</sup>/hour  
Mechanical endurance: 1 million of operations cycles<sup>1</sup>  
Max actuating speed: 0,5 m/s  
Min. actuating speed: 1 mm/s  
(1) One operation cycle means two movements, one to close and one to open contacts, as foreseen by IEC 947-5-1 standard.

#### Cross section of the conductors (flexible lead wire)

Contact block 6: min. 1 x 0,5 mm<sup>2</sup> (1 x AWG 20)  
max. 2 x 2,5 mm<sup>2</sup> (2 x AWG 14)

#### Screws driving torques

Cover and head screws: 0,7 ... 0,9 Nm  
Protection plugs: 1,2 ... 2,0 Nm

#### In conformity with requirements requested by:

Low Voltage Directive 2006/95/EC  
Machinery Directive 2006/42/EC  
Electromagnetic Compatibility 2004/108/EC.

#### Positive contact opening in conformity with standards:

IEC 947-5-1, EN 60947-5-1, CEI EN 60947-5-1, VDE 0660-206.

#### In conformity with standards:

IEC 60947-5-1, EN 60947-5-1, IEC 60204-1, EN 60204-1, EN 1088, EN ISO 12100-1, EN ISO 12100-2, IEC 529, EN 60529, NFC 63-140, VDE 0660-200, VDE 0113, CENELEC EN 50013, BG-GS-ET-15.

#### Markings and quality marks:



Approval IMQ: EG610  
Approval UL: E131787  
Approval CCC: 2007010305230013  
Approval ECU: 1010151

### Electrical data

Thermal current (I<sub>th</sub>): 10 A  
Rated insulation voltage (U<sub>i</sub>): 500 VAC 600 VDC  
Protection against short circuits: fuse 10 A 500V type aM  
Pollution degree: 3

### Utilization category

Alternate current: AC15 (50±60 Hz)  
U<sub>e</sub> (V) 250 400 500  
I<sub>e</sub> (A) 6 4 1  
Direct current: DC13  
U<sub>e</sub> (V) 24 125 250  
I<sub>e</sub> (A) 6 1,1 0,4