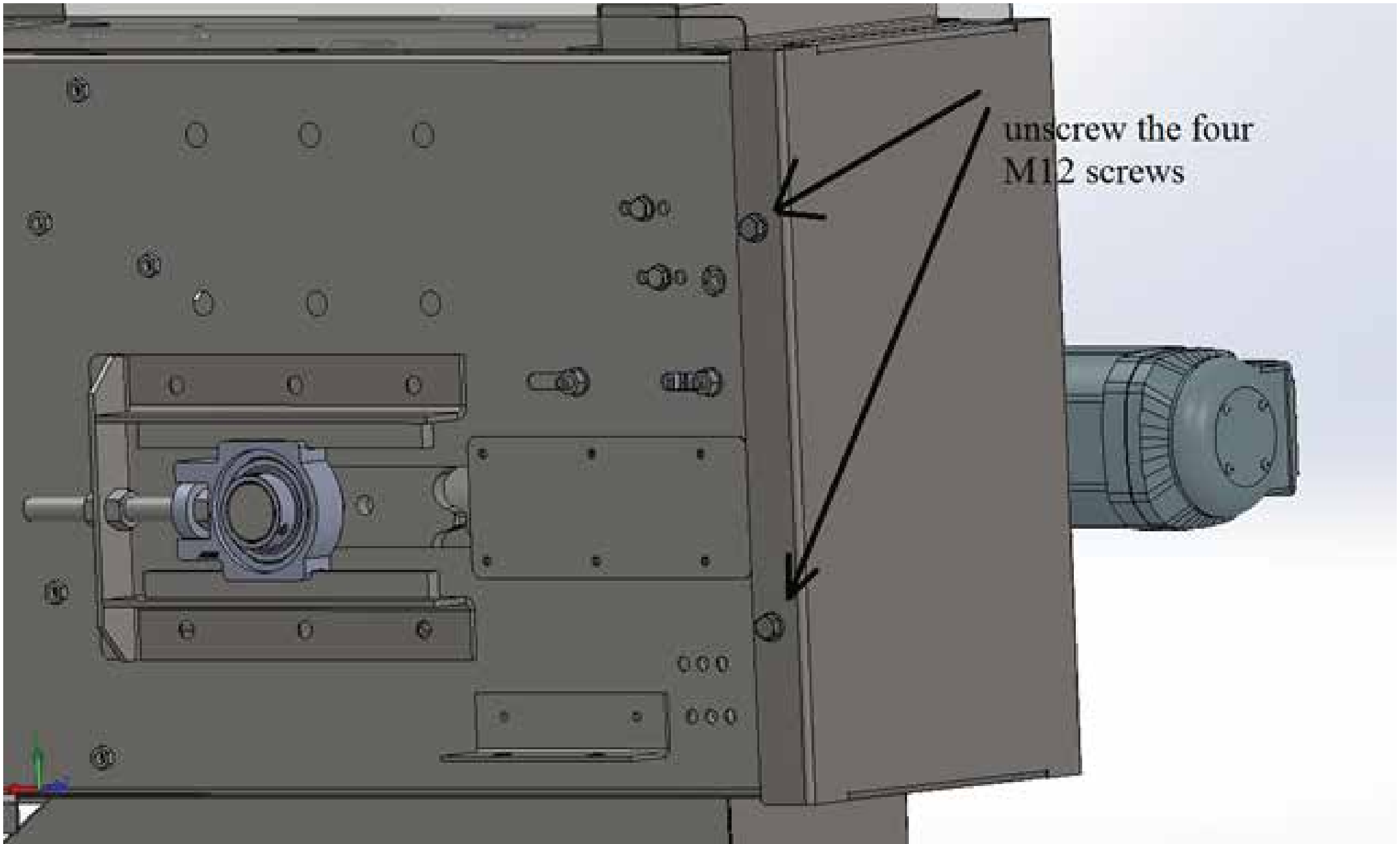
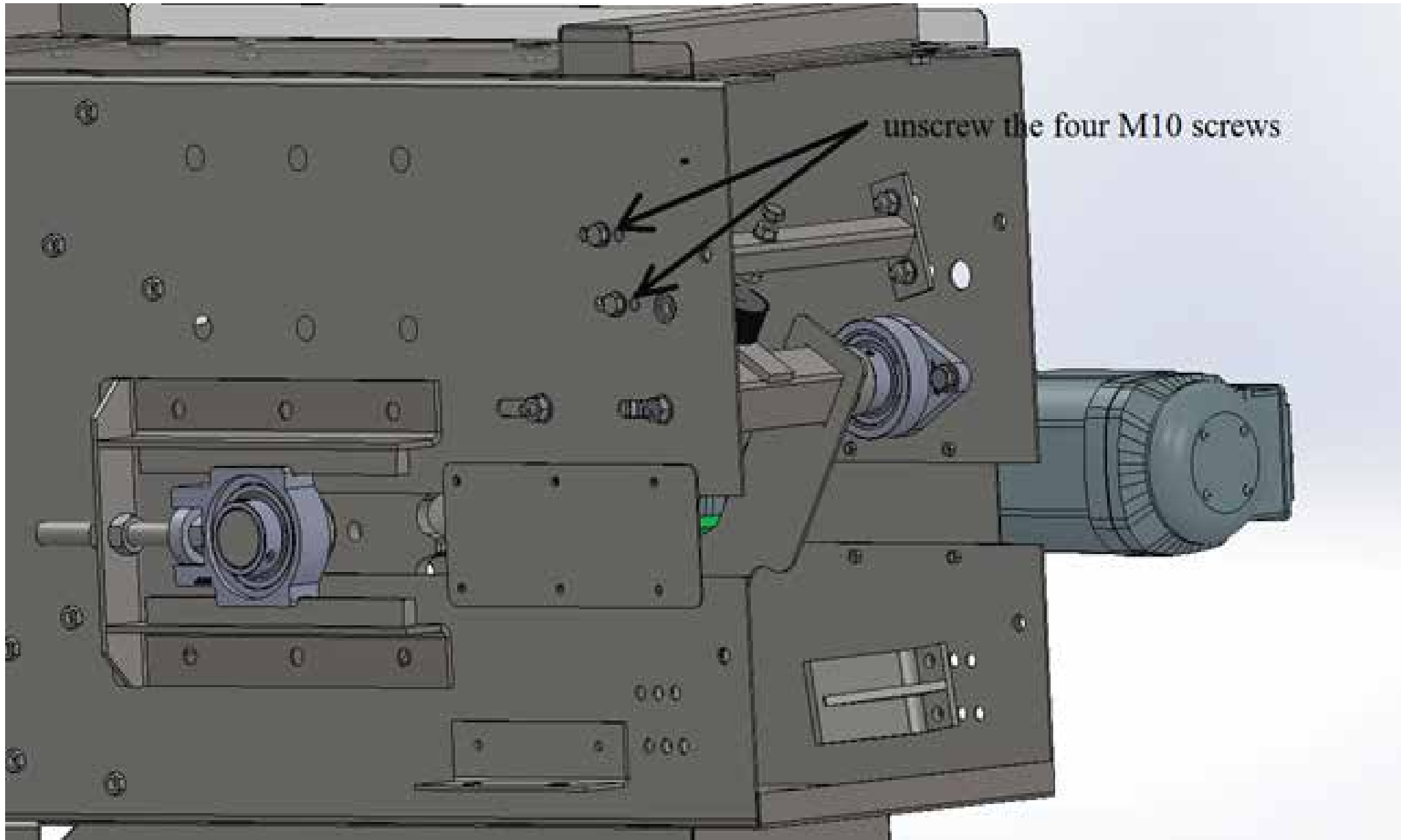


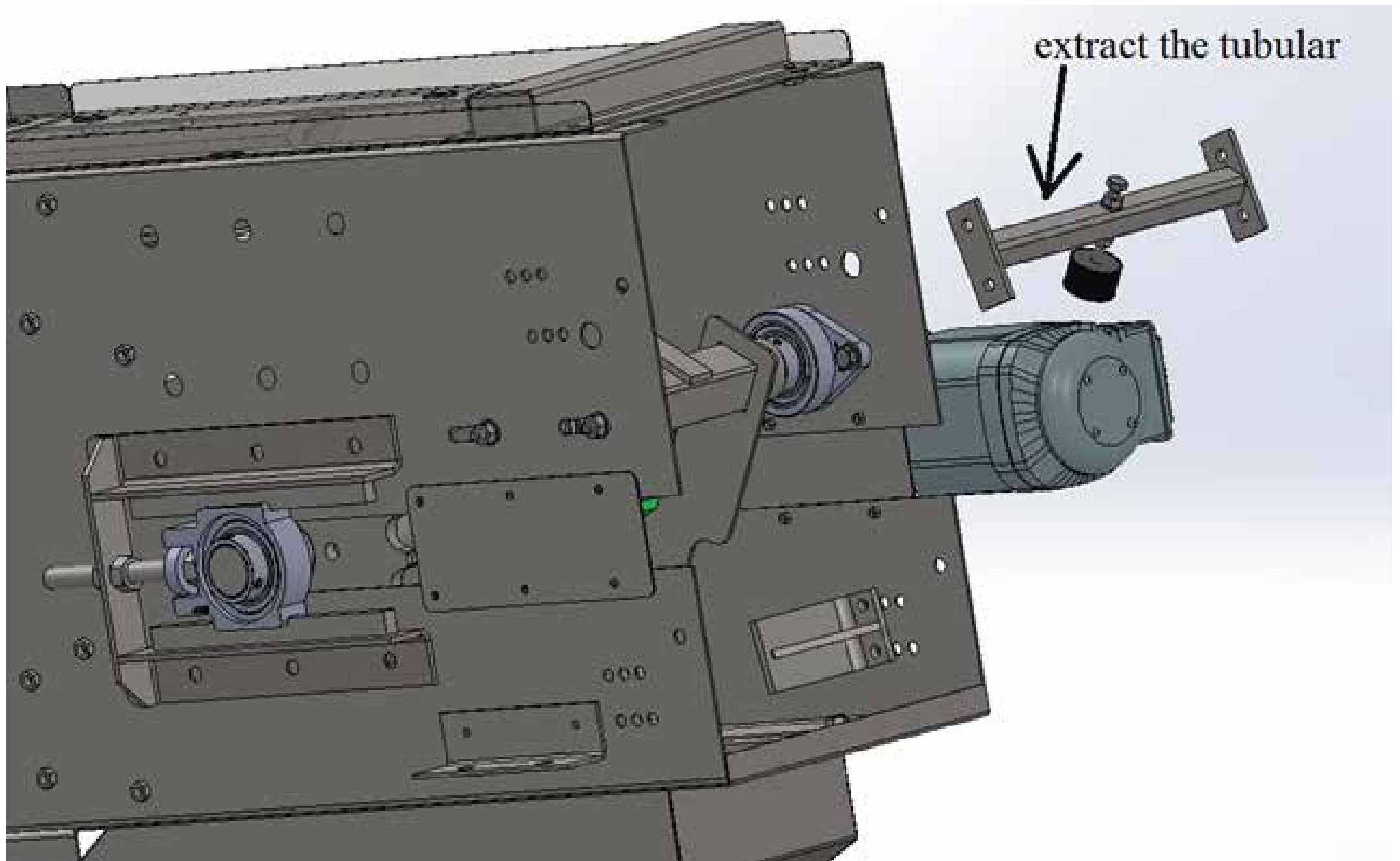
SCRAPER



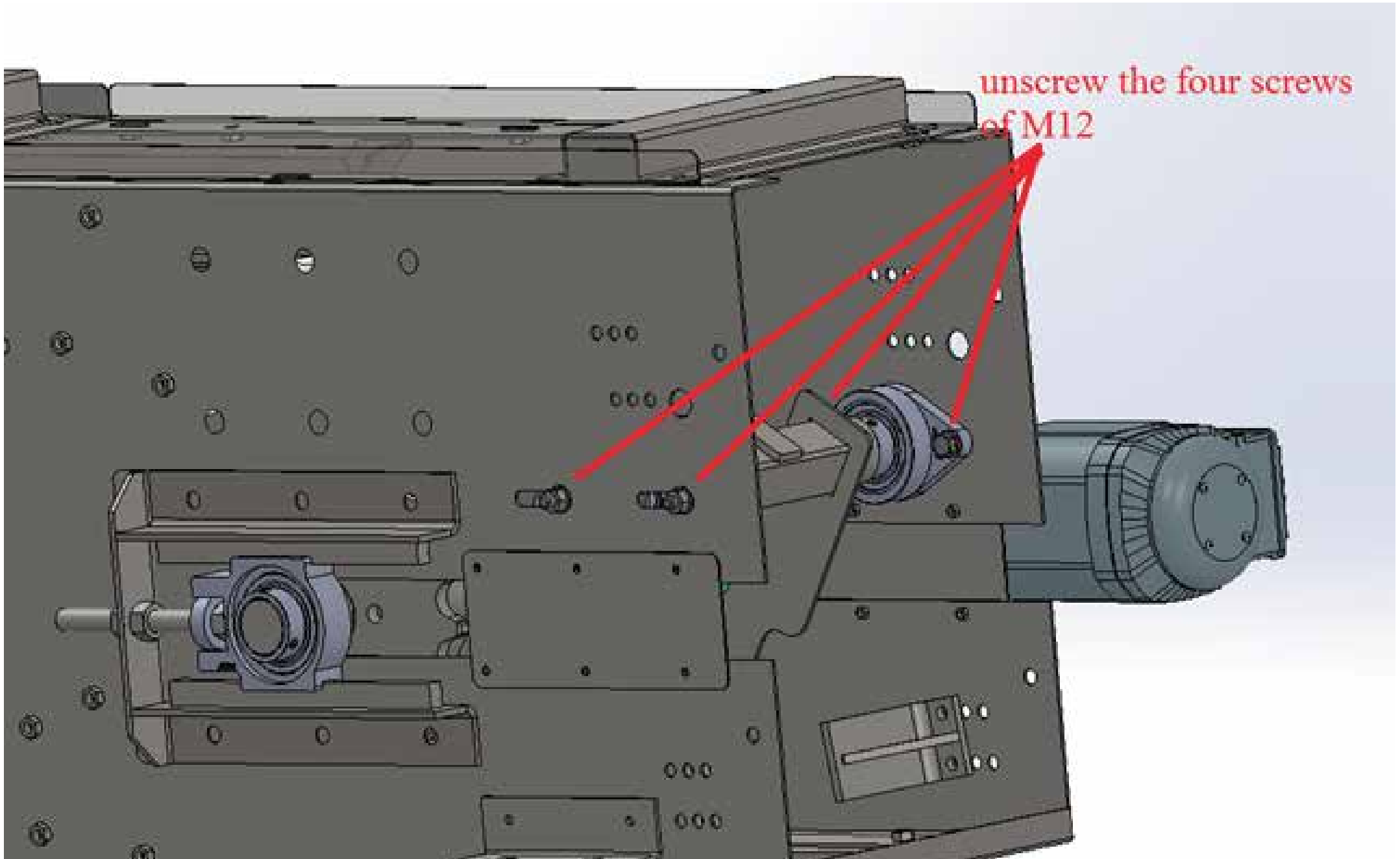
The first step is to remove the upper cover of the smc fixed with N°4 x M12 screws



Once the cover has been removed, the second step is to remove a tubular comb lock. The procedure is similar to the first one, just remove N°4 x M10 screws and extract the tubular, see figure here above.

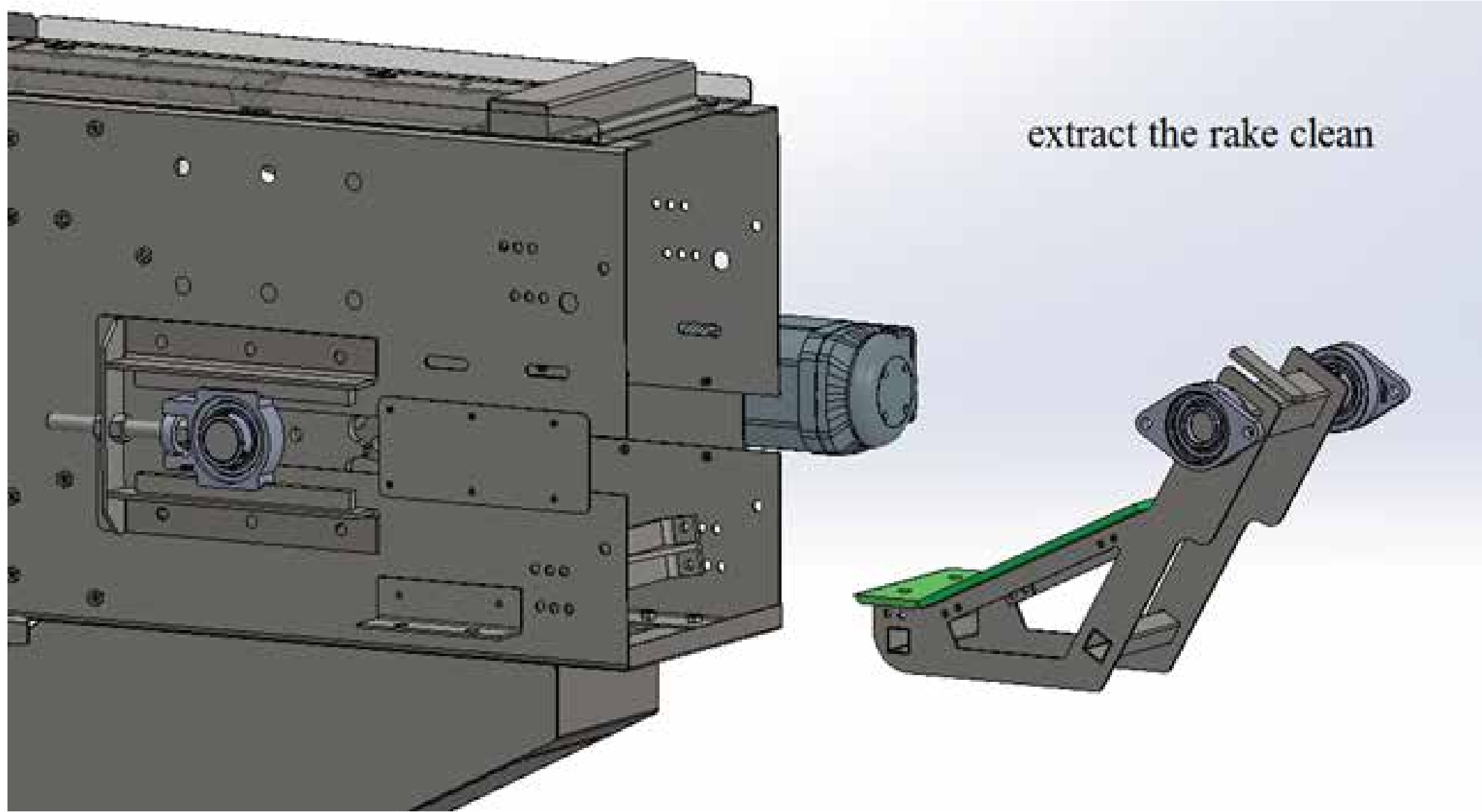


Remove the tubular, see figure .



unscrew the four screws
of M12

The last operation is to unscrew another N°4 x M12 screws of the supports where the comb cleaner is connected and extract everything.



extract the rake clean

Remove the comb cleaner from the upper opening.
Operation finished. To mount, carry out the operations in reverse order.