

GTR - Rotary Drum Screen w/Compactation



Our GTR – ROTARY DRUM SCREEN with or without the compactor is a machine usable for solid/liquid separation in case of a big water flowrate.

This machine is composed by a screen basket in a holed sheet (circular holes from 2 to 6mm) or in a trapezoidal profile Wedge Wire stainless steel net (spacing 0.25mm – 2mm) which filter the waters holding back the solid particles.

This sieve rotates together with the transport screw and moves the resulting materials up to the compaction and dehydration zone where they'll be discharged allowing a reduction of volume and weight of that waste by over 40%.

The machine can be installed inclined (between 35 ° and 45 ° depending on the needs) into a concrete channel or in a stainless steel tank to receive the waste waters from a fixed pipe; this version is called GTR-T

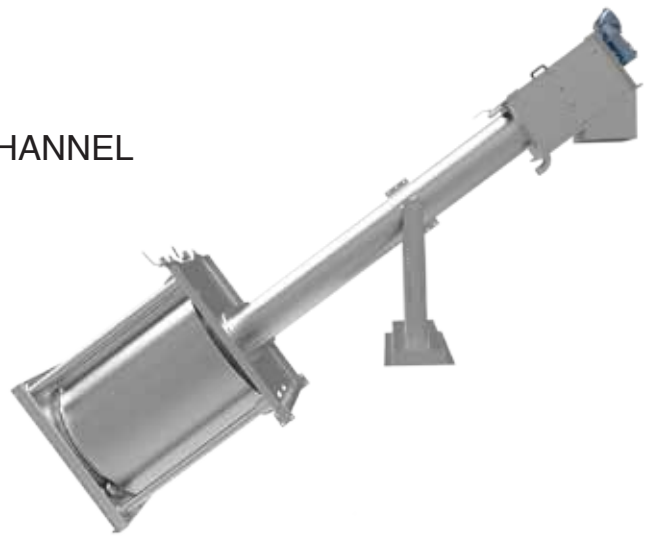


DESCRIPTION

- Manufacturer: FLUITECO
- Model: GTR-ROTARY DRUM SCREEN IN CHANNEL
- Material: Stainless Steel
- Surface Treatment: Pickled & passivated

APPLICATIONS

- Screening and dewatering for pumping station
- Industrial wastewater treatment



WORKING PRINCIPLE

GTR screens with or without compactor are used for solid-liquid separation for high flow rate and combine two operations: filtration and compacting.

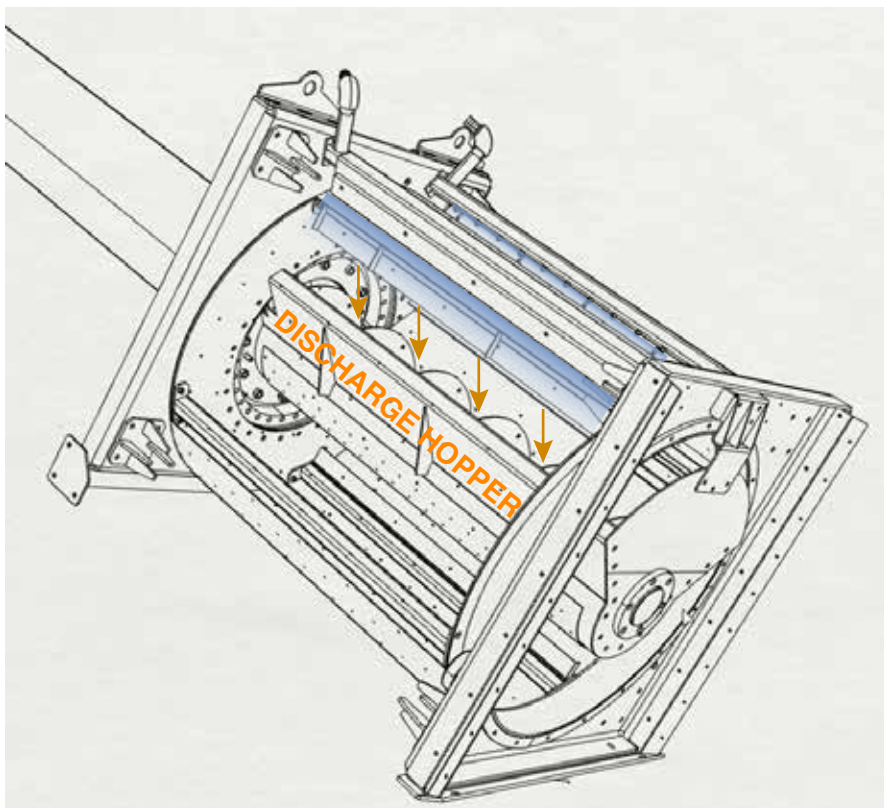
They feature a screen basket, perforated sheet or wedge wire, that act as a filter and rotating with the transport screw, followed by the transport section that ends with a compacting/dewatering modulus that can be provided with a chute or a bagging system.

Screenings are conveyed by a shafted screw until the compacting/dewatering section where both the volume and the weight are reduced (up to 40%).

The machine is usually placed inside a channel of suitable width, but may be placed inside a receiving tank.

FEATURE

During drum rotation, the high pressure washing, cleans the filtration by the materials which falls down into an internal discharge hopper which transfers the material to the outside thanks the dedicated outlet.



ROTARY DRUM SCREEN IN TANK

The GTR – ROTARY DRUM SCREEN is supplied with a single gear motor which moves the screw and the sieve together, but it can be equipped with two separate gear motors (one for the screw rotation and one for the sieve rotation); this version is called GTR-D – DUAL ROTARY DRUM SCREEN.

ROTARY DRUM SCREEN DOUBLE MOTORIZATION



This version is particularly recommended when in the wastewater a large amount of solid waste to be filtered is present. The double motorization guarantees the independence of the two rotary elements of the machine (screw and sieve) and consequently a greater reliability and sturdiness of the entire system.

SCREENING MESH TYPE



Wedge wire from 0,25 mm to 2 mm



Perforated holes from 2 to 10 mm

MODEL	GTR800	GTR1000	GTR1200	GTR1400	GTR1600	GTR1800	GTR2000	GTR2400	GTR2600
<u>Type and spacing</u>	M ³ /h								
0,50mm Wedge Wire	108	235	290	430	580	790	940	1460	1820
1,00mm Wedge Wire	270	400	470	720	970	1480	1750	2420	2998
2,00mm Wedge Wire	290	490	720	936	1420	1840	2010	2780	3310
3,00mm Holed	325	400	550	890	1200	1550	1867	2450	2710
6,00mm Holed	690	990	1310	1890	2980	3490	4510	5620	7120
8,00mm Holed	810	1020	1910	2460	3110	3900	4950	5990	7510

OPTION



Insulation against low temperature in the compaction and transport zone



Bagging system with continuous plastic bag

GTR DIMENSIONS (mm)

GTR TYPE X100	6	8	10	12	14	16	18	20	24	26	30
A	600	800	1000	1200	1400	1600	1800	2000	2400	2600	3000
B	800	800	1000	1200	1400	1600	1800	2000	2400	2600	3000
C	430	580	760	930	1050	1200	1400	1600	2000	2100	2200

